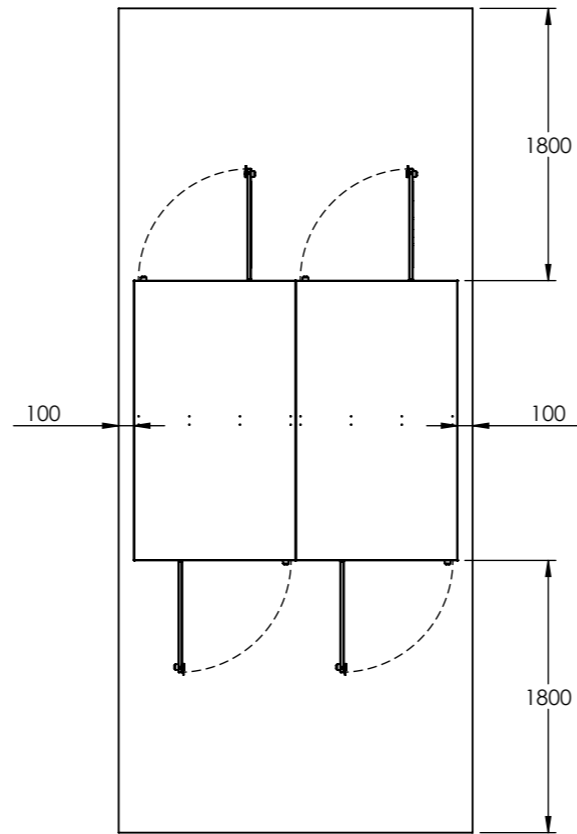
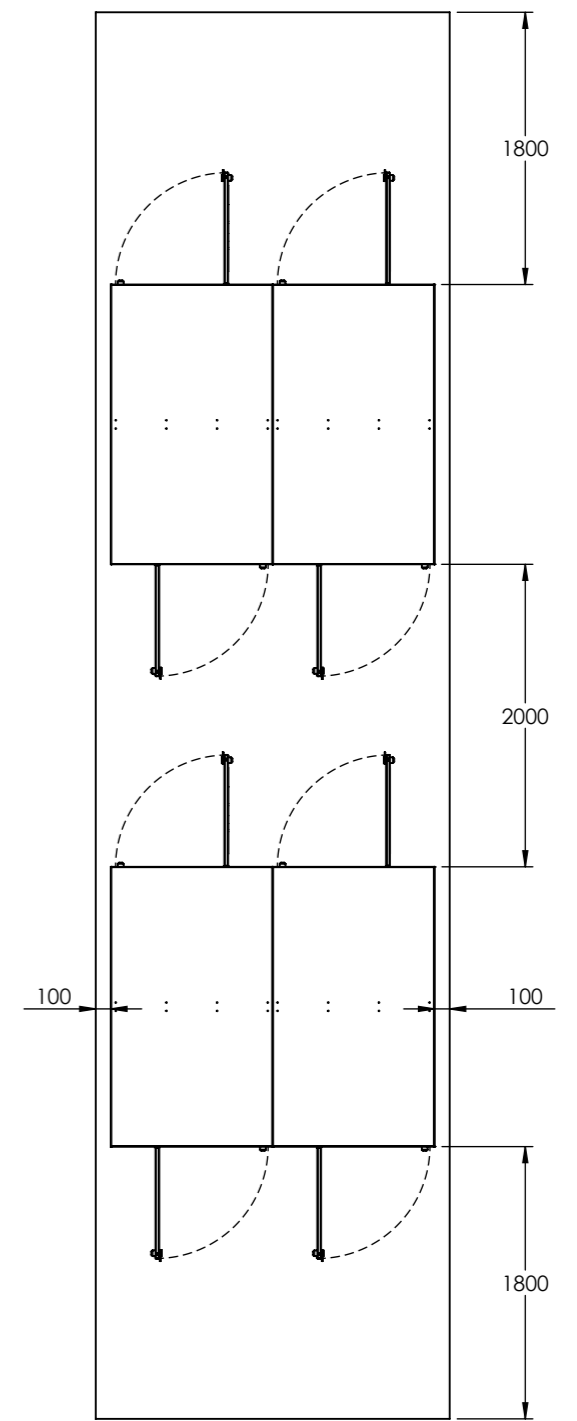


PLAN VIEW OF SINGLE BSL18D SLAB



PLAN VIEW OF DOUBLE BSL18D SLAB



PLAN VIEW OF QUAD BSL18D SLAB

MATERIAL DESCRIPTION: -				
FINISH: -			WEIGHT: kg	
SCALE: 1:50 AT A3		SW FILE: LS33476 -BSL18D-STANDARD SLAB LAYOUT		
LINEAL TOLERANCES			ANGULAR TOLERANCES	
1.0 to 250 ± 0.2	250 to 500 ± 0.5	500 to 1000 ± 1.0	1000 to 5000 ± 2.5	± 0.5°
				THIRD ANGLE PROJECTION



HEAD OFFICE: 18 Reliance Drive, Tuggerah NSW 2258
 Phone +61 2 4353 3377 - Fax +61 2 4353 2255 - Email lvsales@l-v.com.au
 © COPYRIGHT 2011 - ALL INTELLECTUAL PROPERTY RIGHTS RESERVED

ISSUED FOR: INFORMATION		DRAWN: R.LUXFORD	
JOB No. -	CLIENT: -	APPROVED: -	
MODEL DESCRIPTION: BSL18D - STANDARD SLAB LAYOUT		EFFECTIVE DATE: -	
ITEM: LS33476	INDEX: -	REV: D1	DRAWING DATE: 8/10/2012
		SHEET: 1 OF 1	

DO NOT SCALE DWG : IF IN DOUBT ASK

SW PART: BSL18D-SLAB LAYOUT