

Clothes Lockers



Securabike laminate and steel clothes lockers complement our range of bicycle parking products in both style and security.

For work environments, especially in warmer climates, it is important to offer usable bicycle commuter parking with clean and secure locker and shower facilities.

Laminate Lockers

Laminate modular lockers come in a range of aesthetic colours and timber finishes suitable for both retrofit and new installations, and are supplied in flat pack for ease of transport and assembly. They are available in a number of size configurations to meet cyclists needs.

Steel Lockers

Steel lockers are suitable for inclusion in any of Securabike's end-of-journey modules, cages or for fitting into existing bicycle parking facilities. They are supplied in sets of 3 in kit form and can be easily snap-assembled.



Advantages

- Modular units to suit application
- Stylish design and colours
- Single, and multiple configuration
- Individual secure locking

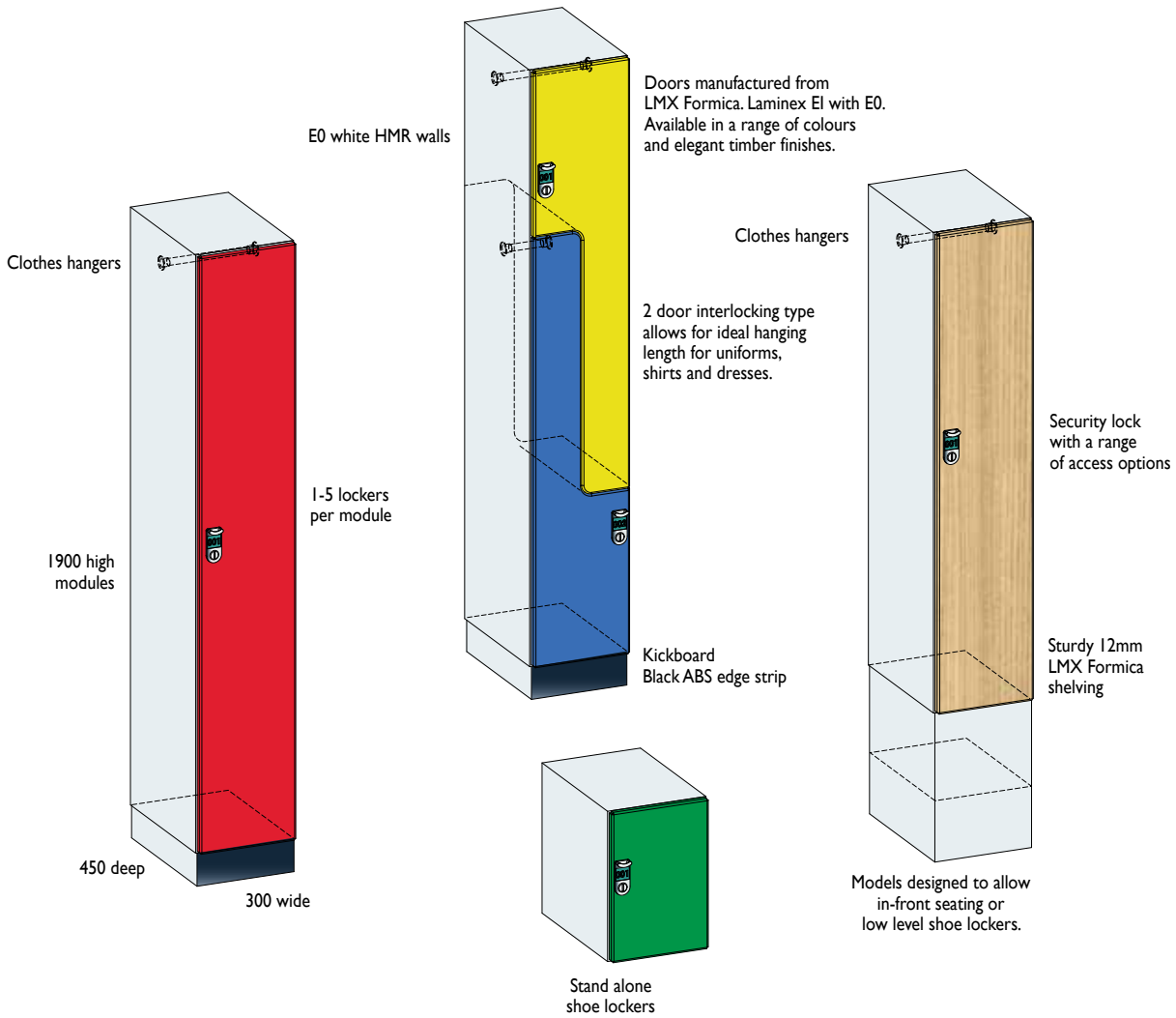
Applications

- Commercial workplaces
- University and college campuses
- Industrial complexes
- Gymnasiums



Laminate Lockers
Features

A range of configurations allows for economical use of space while not compromising the room for hanging clothes.



Doors available in a range of colours and elegant timber finishes.

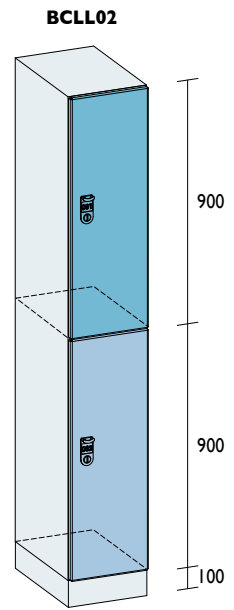
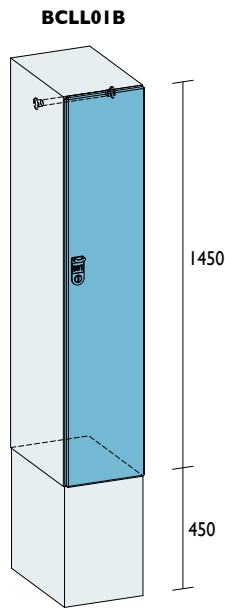
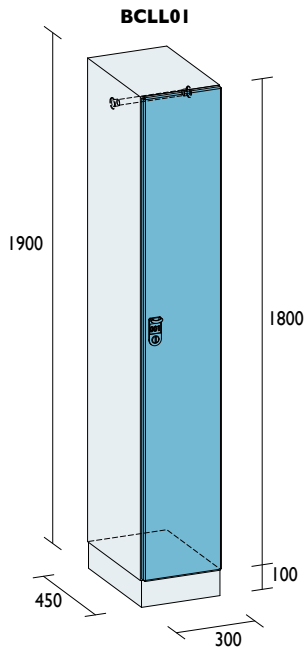


*minimum order quantity 30 units

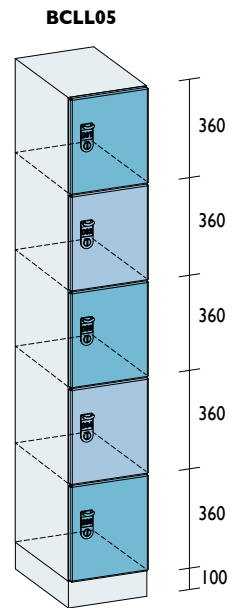
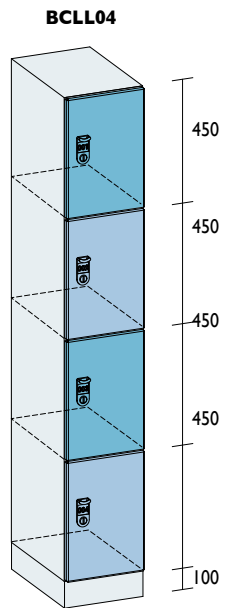
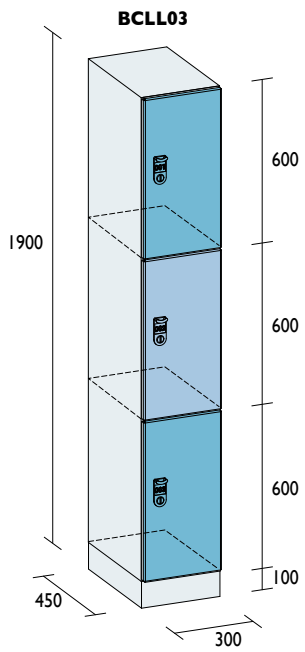
General	4
Bicycle Facts	4
Design Guide	6
Installation	12
Consulting	13
Security Classes	14
Products	16
Rails	16
Racks	35
Repair Stations	65
End-of-Journey	70
Cages	84
Lockers	88
Shelters	98
Domestic	107
Scooters	113
Other	116
Clothes Lockers	122
Codes Index	130

Product Range > Clothes Lockers

Laminate Lockers Standard

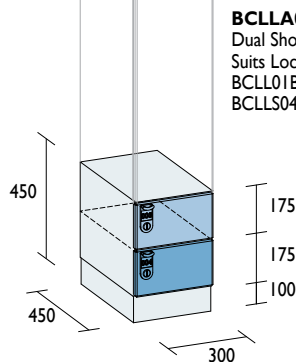
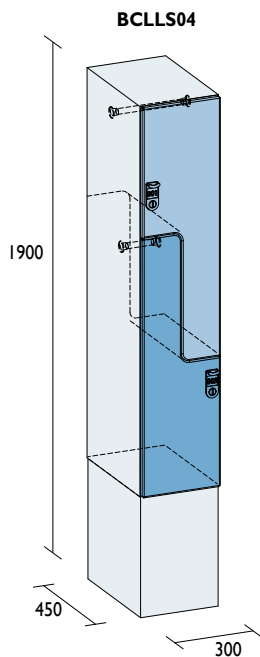
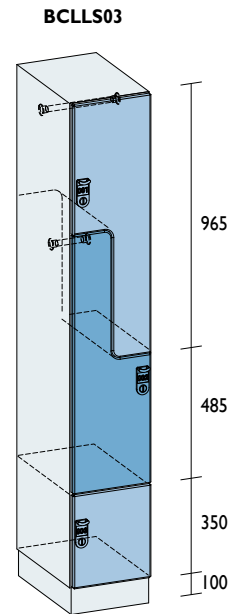
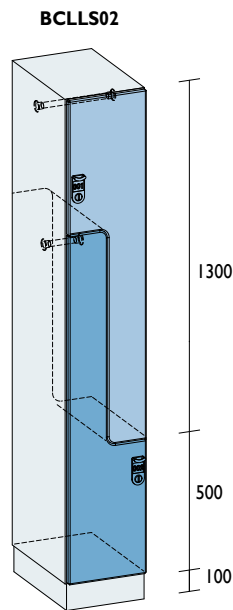
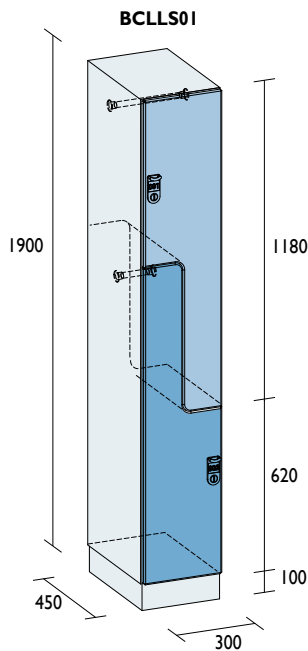


Designed to allow
foot lockers BCLLA01 / 02 addition or
in-front seating BCLLB01 / 02 / 03 / 04.
Refer Options & Accessories.

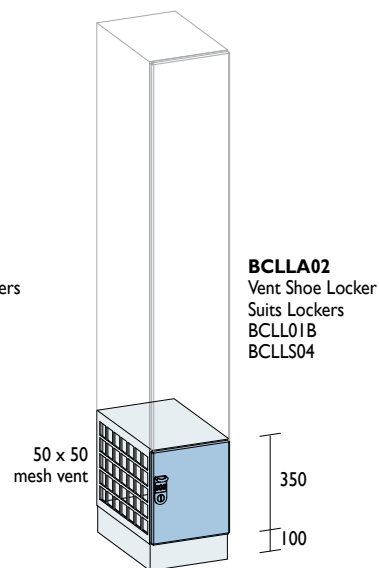


Laminate Lockers
Staggered

Many cycling commuters, particularly office workers, store work attire at their workplace so lockers with deep hanging space is an important consideration. Staggered lockers provide excellent hanging space to avoid creasing clothes, while maintaining adequate space for apparel such as bicycle helmets.



BCLLA01
Dual Shoe Lockers
Suits Lockers
BCLL01B
BCLLS04



BCLLA02
Vent Shoe Locker
Suits Lockers
BCLL01B
BCLLS04

Designed to allow foot lockers BCLLA01 / 02 addition or in-front seating BCLLB01 / 02 / 03 / 04. Refer Options & Accessories.

Mesh sides to shoe section provides good ventilation. Fan and ducting at locker bay ends can greatly increase air flow to aid in drying shoes and reducing odours.

General 4

Bicycle Facts 4

Design Guide 6

Installation 12

Consulting 13

Security Classes 14

Products 16

Rails 16

Racks 35

Repair Stations 65

End-of-Journey 70

Cages 84

Lockers 88

Shelters 98

Domestic 107

Scooters 113

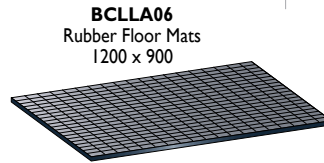
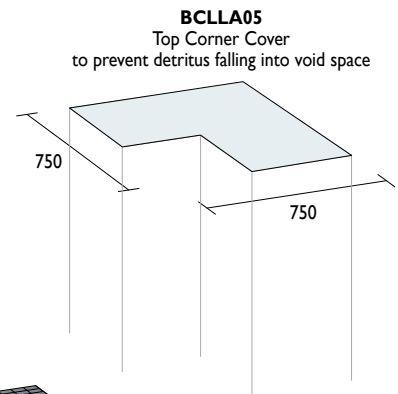
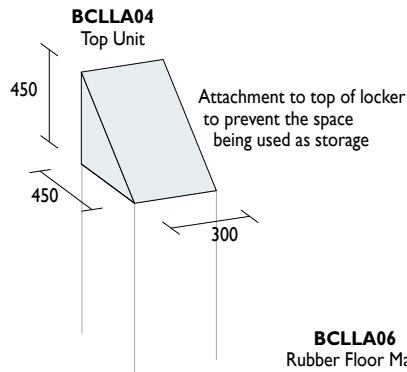
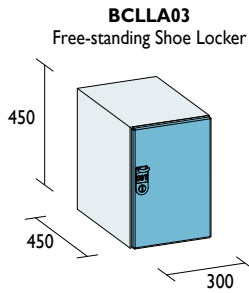
Other 116

Clothes Lockers 122

Codes Index 130

Product Range > Clothes Lockers

Laminate Lockers Options & Accessories



BCL321.54.800
Coin operated lock.
Left hand lock.

BCL234.54.801
Coin operated lock.
Right hand lock.



BCL231.98.001
Pin code lock with master pin system. Time limit option.
Choice of locker or can be assigned. Uses 3 x AAA batteries.

BCL231.98.011
Pin code lock with master pin system. No time limit option.
Choice of locker or can be assigned. Batteries not required.

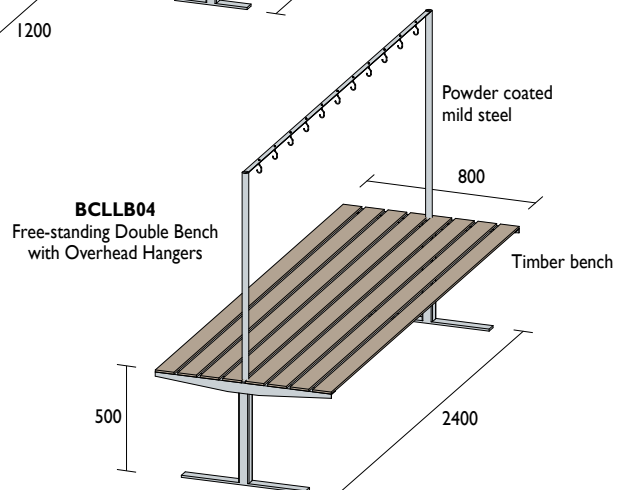
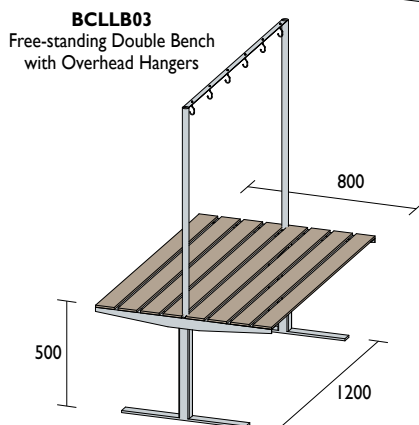
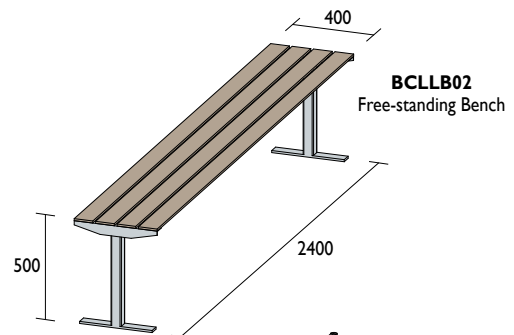
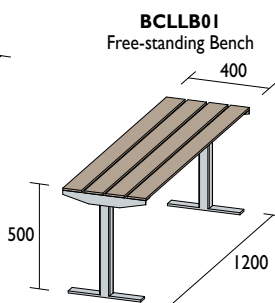
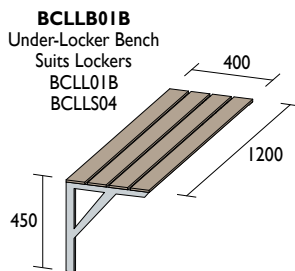
BCL231.98.020
Pin and RFID with master pin system. Time limit option.
Choice of locker or can be assigned. Uses 3 x AAA Batteries



BCLPROGRAMMER
Remote programmer to program and control locks.

BCL231.98.210
Battery pack for
BCL231.98.001 / 020

BCLFOB
Key fob for RFID card



Steel Lockers

**BCL01
1 Door Locker Unit**



Number / name plate



Two keys supplied with every locker

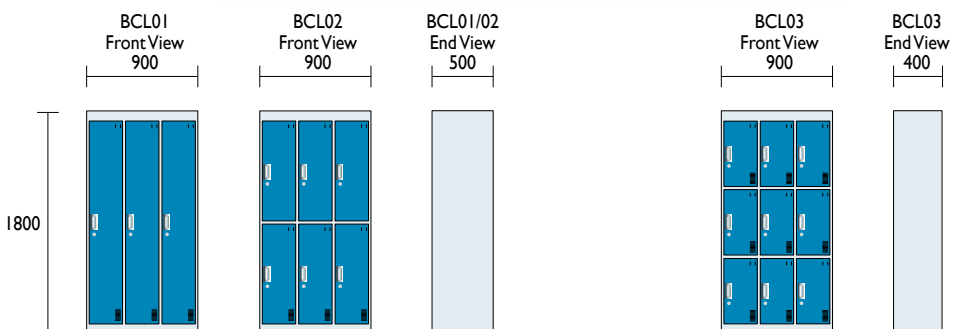
Ventilation slots

Steel clothes lockers are supplied in sets of 3 in kit form. They can be quickly snap-assembled – no tools required.

**BCL02
2 Door Locker Unit**



**BCL03
3 Door Locker Unit**



General	4
Bicycle Facts	4
Design Guide	6
Installation	12
Consulting	13
Security Classes	14
Products	16
Rails	16
Racks	35
Repair Stations	65
End-of-Journey	70
Cages	84
Lockers	88
Shelters	98
Domestic	107
Scooters	113
Other	116
Clothes Lockers	122
<i>Codes Index</i>	130

**PARKING STANDARDS 1999, THE PLANNING CENTRE,
DEPARTMENT OF THE ENVIRONMENT, UK.**

Parking Standards - Non Residential

USE CLASS ²	DESCRIPTION	CYCLE PARKING STANDARD
Class A1: Shops	Food retail	Minimum of 2 per unit or 1 per 500m ² GFA which ever is the greater
	Non food retail	Minimum of 2 per unit or 1 per 500m ² GFA which ever is the greater
Class A2: Financial Professional & Other Services	Offices and services appropriate to provision in a shopping area where these are principally to serve visiting members of the public	Minimum of 2 per unit
Class B1: Business	Class B1 Offices	Minimum of 2 per unit or 1 per 20 staff whichever is the greater
	Call centres	Minimum of 2 per unit or 1 per 20 staff whichever is the greater
Class B2: Light Industrial and	<250 m ² GFA	Minimum of 2 per unit
Class B3: General Industrial	>250 m ² GFA	Minimum of 2 per unit or 1 per 500m ² GFA which ever is the greater
Class B4: Storage or Distribution	Storage or Distribution Centre	Minimum of 2 per unit or 1 per 1000m ² GFA whichever is the greater
Class C2: Guest Houses	Boarding or guest house or as a hostel where, in each case, no significant element of care is provided	Minimum of 2 per unit
Class C3: Residential Institutions	Hospital or Nursing Home	1 per 10 staff
	Residential School, College or Training Centre Sheltered Accommodation for the elderly and/or people with disabilities	1 per 10 staff
Class D1: Community and Cultural Uses	Nursery schools Day nurseries Pre school play groups	Minimum of 2 per unit
	Primary Schools	1 per 10 students
	Secondary Schools	
	Further Education	
	Libraries Art Galleries Museums	Minimum of 10 per unit
	Health Centres, Doctors' Surgeries Day Clinics, Dentists, Surgeries, Veterinary Surgeries	Minimum of 2 per unit
Class D2: Assembly and Leisure	Theatres, Cinemas, Concert Halls, Dance Halls and Bingo Halls	Minimum of 10 per unit
No Specific Class 'Sui Generis'	<250 m ² GFA	Minimum of 2 per unit
	>250 m ² GFA	Minimum of 2 per unit or 1 per 500m ² GFA which ever is the greater
Class B4: Storage or Distribution	Storage or Distribution Centre	Minimum of 2 per unit or 1 per 1000m ² GFA whichever is the greater

²Use Class as defined in the Planning (Use Classes) Order (Northern Ireland) 2004.

**PARKING STANDARDS 1999, THE PLANNING CENTRE,
DEPARTMENT OF THE ENVIRONMENT, UK.**

Parking Standards - Non Residential

USE CLASS ²	DESCRIPTION	CYCLE PARKING STANDARD
No Specific Class 'Sui Generis'	Churches and Church Halls	Minimum of 10 per unit
	Indoor / outdoorstadia including rugby, football, soccer, gaelic football, skating etc.	Minimum of 10 per unit or 1 per 50 seats, whichever is the greater
	Soccer, Hockey, Rugby, Cricket etc Pitches	Minimum of 2 per pitch
	Sports / Leisure Centres	Minimum of 10 per unit
	Swimming Pool	Minimum of 10 per unit
	Golf Courses	Minimum of 5 per course
	Marinas	Minimum of 5 per unit
	Caravan / Camping Sites	
	Public Open Space	
	Taxi Offices	
	Hotels	Minimum of 2 per unit + 1 per 30 beds
	Bars Outside development limit Inside development limit	Minimum of 5 per unit
	Restaurants Outside development limit Inside development limit	Minimum of 2 per unit
	Roadside restaurant or service restaurant outside the development limit Targeting mixed use of lorries and cars	Minimum of 2 per unit
	Hot food take away. Street frontage infill	Minimum of 2 per unit
	Drive through / takeaway restaurant	Minimum of 2 per unit
	Transport Café Outside development limit	Minimum of 2 per unit
	Car Showrooms	Minimum of 2 per unit
	Petrol Filling Station	Minimum of 2 per unit

General 4

Bicycle Facts 4

Design Guide 6

Installation 12

Consulting 13

Security Classes 14

Products 16

Rails 16

Racks 35

Repair Stations 65

End-of-Journey 70

Cages 84

Lockers 88

Shelters 98

Domestic 107

Scooters 113

Other 116

Clothes Lockers 122

Codes Index 130