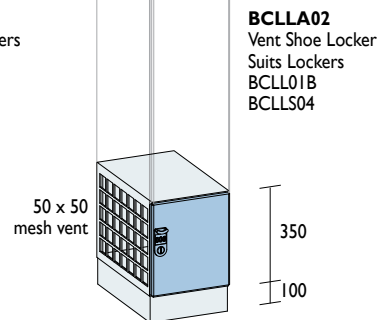
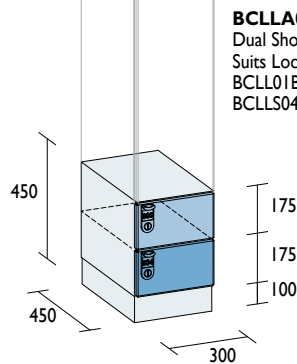
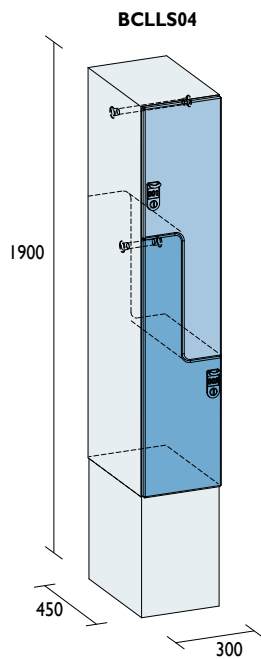
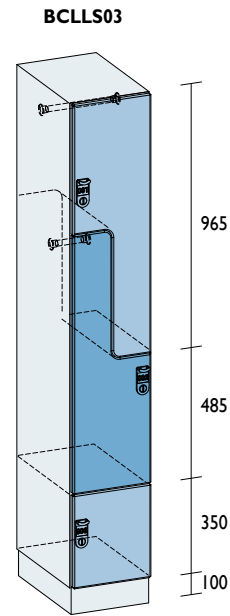
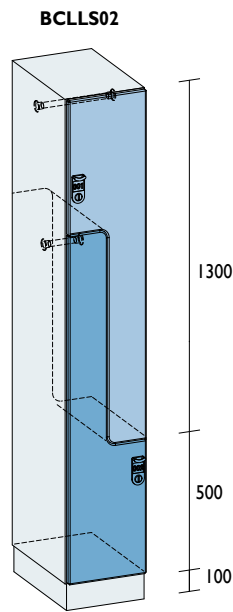
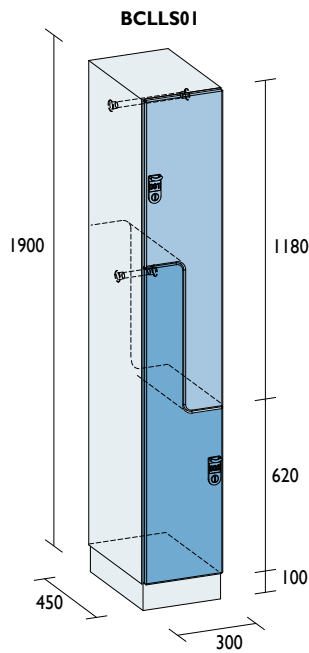


**Laminate Lockers**  
Staggered

Many cycling commuters, particularly office workers, store work attire at their workplace so lockers with deep hanging space is an important consideration. Staggered lockers provide excellent hanging space to avoid creasing clothes, while maintaining adequate space for apparel such as bicycle helmets.



Designed to allow foot lockers BCLLA01 / 02 addition or in-front seating BCLLB01 / 02 / 03 / 04. Refer Options & Accessories.

Mesh sides to shoe section provides good ventilation. Fan and ducting at locker bay ends can greatly increase air flow to aid in drying shoes and reducing odours.

**General 4**

Bicycle Facts 4

Design Guide 6

Installation 12

Consulting 13

Security Classes 14

**Products 16**

Rails 16

Racks 35

Repair Stations 65

End-of-Journey 70

Cages 84

Lockers 88

Shelters 98

Domestic 107

Scooters 113

Other 116

Clothes Lockers 122

Codes Index 130