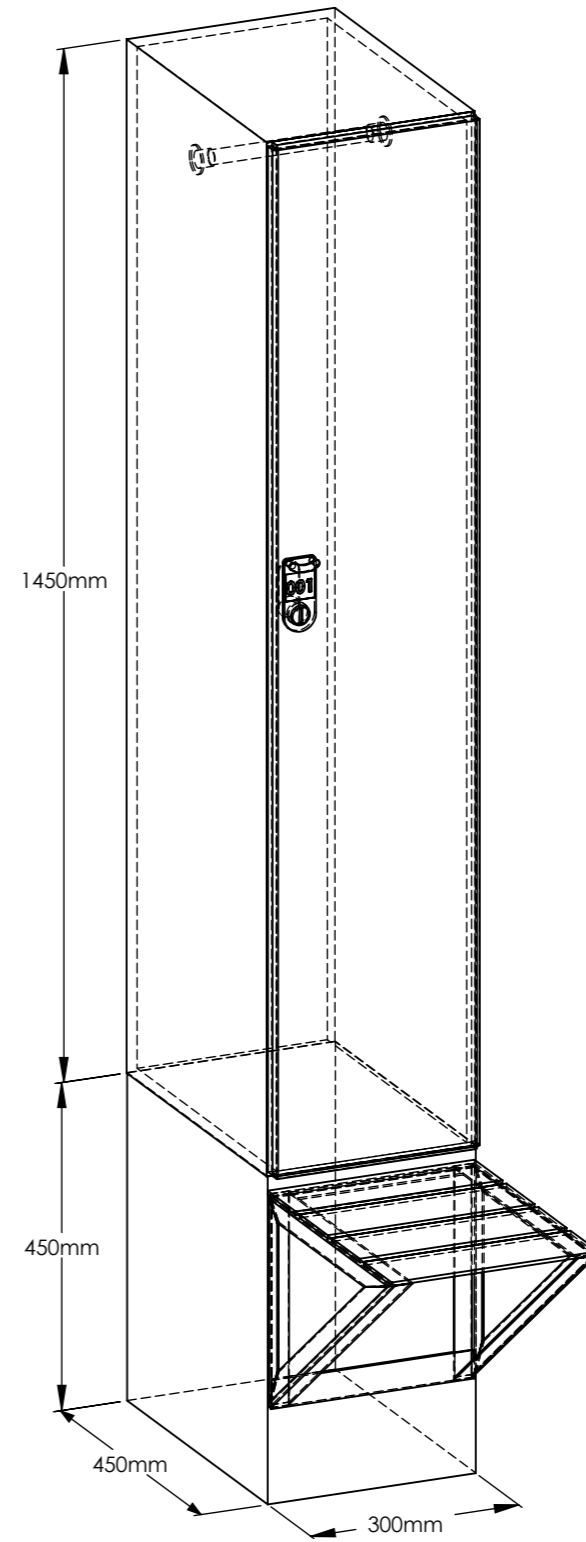



Additional Benck



MATERIAL DESCRIPTION: -				
FINISH: -				WEIGHT: kg
SCALE: 1:20 AT A3		SW FILE: BCLLA04		
LINEAL TOLERANCES		ANGULAR TOLERANCES		
1.0 to 250 ± 0.2	250 to 500 ± 0.5	500 to 1000 ± 1.0	1000 to 5000 ± 2.5	± 0.5°
 THIRD ANGLE PROJECTION				



HEAD OFFICE: 18 Reliance Drive, Tuggerah NSW 2258
 Phone +61 2 4353 3377 - Fax +61 2 4353 2255 - Email lvsales@l-v.com.au
 © COPYRIGHT 2011 - ALL INTELLECTUAL PROPERTY RIGHTS RESERVED

ISSUED FOR: -		DRAWN BY: -	
JOB No. -	CLIENT: -	APPROVED BY: -	
MODEL DESCRIPTION: -		EFFECTIVE DATE: -	
ITEM: -	INDEX: -	REV: -	DRAWING DATE: 2013/1/4
			SHEET: 1 OF 1