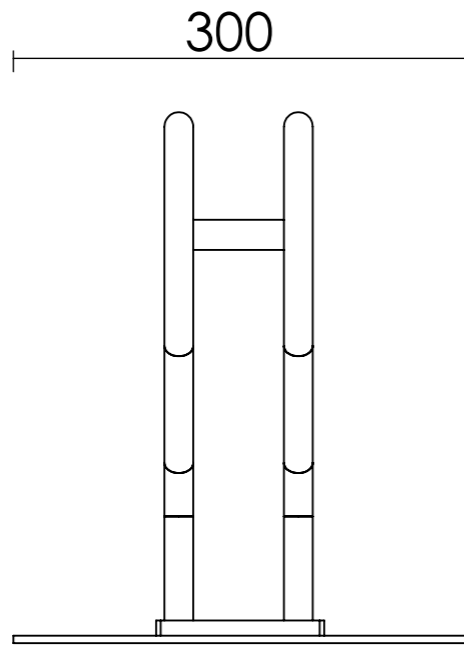
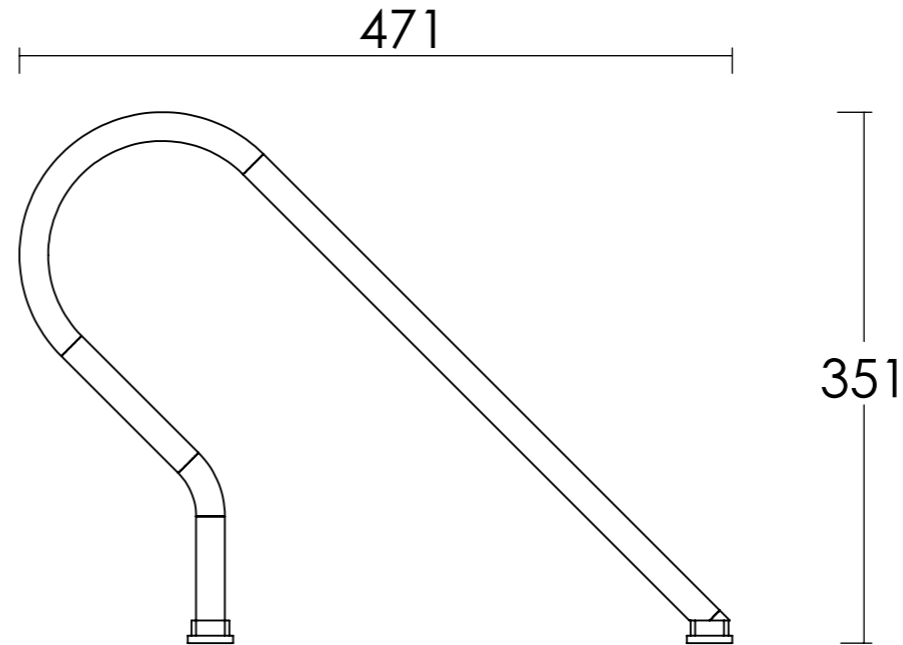


Front View



End View



MATERIAL DESCRIPTION: DURAGAL				WEIGHT: kg	
FINISH: POWDERCOATED / GALVANIZED		SW FILE: BRC01 ASSM			
SCALE: 1:10 AT A3		ANGULAR TOLERANCES			
LINEAL TOLERANCES		THIRD ANGLE PROJECTION			
1.0 to 250 ± 0.2	250 to 500 ± 0.5	500 to 1000 ± 1.0	1000 to 5000 ± 2.5	± 0.5°	



HEAD OFFICE: 18 Reliance Drive, Tuggerah NSW 2258
 Phone +61 2 4353 3377 - Fax +61 2 4353 2255 - Email lvsales@l-v.com.au
 © COPYRIGHT 2011 - ALL INTELLECTUAL PROPERTY RIGHTS RESERVED

ISSUED FOR: MANUFACTURE		DRAWN BY: HUI CHEN	
JOB No. -	CLIENT: -	APPROVED BY: -	
MODEL DESCRIPTION: BRC01 ASSM		EFFECTIVE DATE: -	
ITEM: LS80806	INDEX: -	REV: D1	DRAWING DATE: 2015/8/21
		SHEET: 1 OF 1	