

Repair Stations



Securabike has developed a range of bicycle repair and pump stations that are suitable for end-of-journey facilities, bicycle paths or any location where cyclists gather.

They are designed to allow cyclists to position their bicycle conveniently above ground to carry out routine maintenance and repairs.

All Securabike repair stations can be fitted with the optional tool package, tool baskets and *Bicycle Repair Station* signage.

Advantages

- Safely secures bicycle during repair
- Encourages regular bicycle maintenance
- Stores bicycle tools, spares and repair kits
- Frees-up work bench space

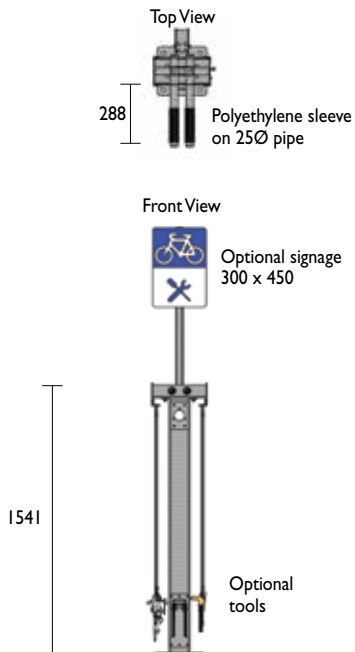
Applications

- End-of-journey facilities
- Bicycle retailers
- Home workshops
- Universities and colleges
- Bicycle paths and tracks

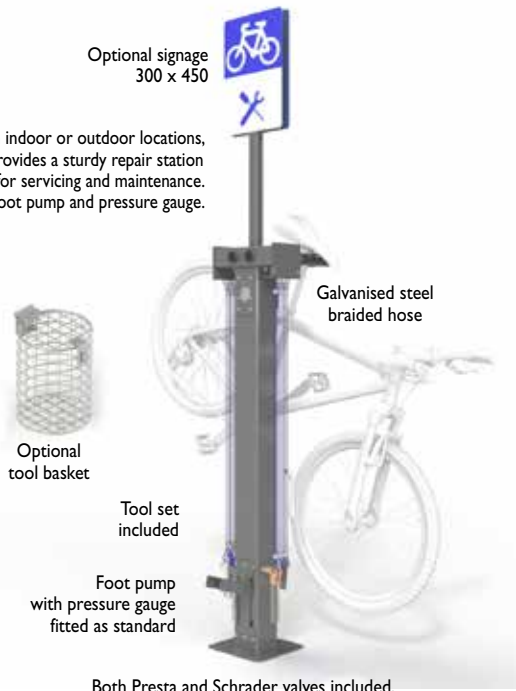


Product Range > Repair Stations

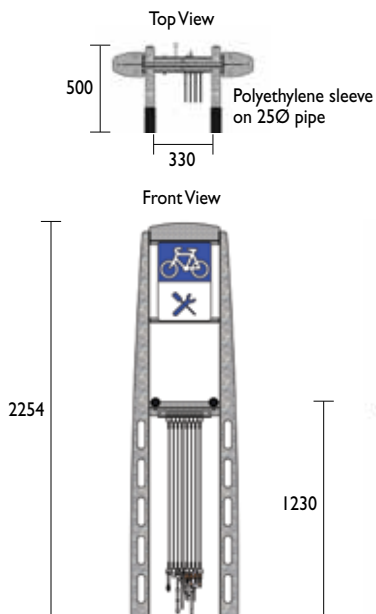
BBSR01



Suitable for both indoor or outdoor locations, it provides a sturdy repair station for servicing and maintenance. Includes a foot pump and pressure gauge.



BBSR02



Developed primarily for use outdoors on bicycle paths or at community facilities such as swimming pools and sports centres.

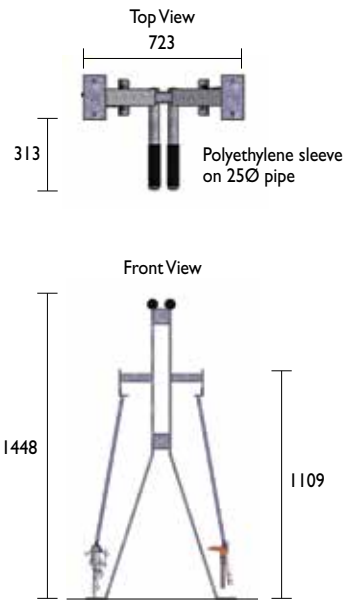


Material Specifications (General)

BBSR01 125 x 125 x 4mm SHS / Hot Dipped Galvanised
BBSR02 6mm Mild Steel Plate / Hot Dipped Galvanised



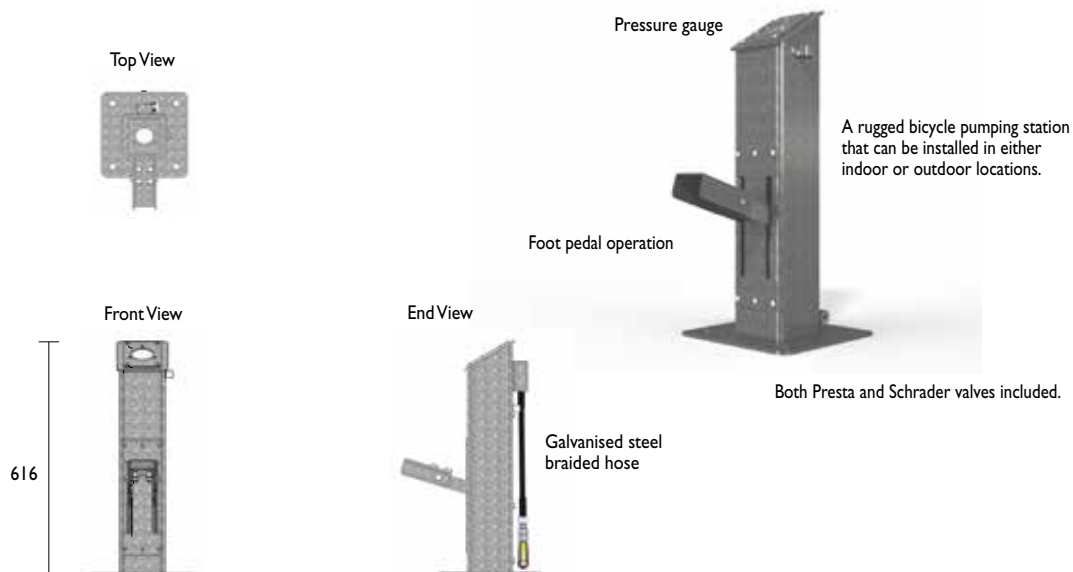
BBS03



Supplied in knock-down kit form and can be quickly and easily assembled and bolted to concrete foundation.



BPS01
Pumping Station



General	4
Bicycle Facts	4
Design Guide	6
Installation	12
Consulting	13
Security Classes	14
Products	16
Rails	16
Racks	35
Repair Stations	65
End-of-Journey	70
Cages	84
Lockers	88
Shelters	98
Domestic	107
Scooters	113
Other	116
Clothes Lockers	122
<i>Codes Index</i>	130

Material Specifications (General)	
BBS03	75 x 10mm Mild Steel Flat / Hot Dipped Galvanised
BPS01	125 x 125 x 4mm SHS / Hot Dipped Galvanised

Bicycle Repair Tools

Tools are consumable items on the repair stations. Spares can be easily replaced with a crimping tool.



Multi-purpose Tool
BRT14



Tri Allen Key
BRT11



Tri Allen Socket
BRT12



Tyre Lever
BRT13



Hexagon Ratchet
BRT15



Wheel Nut Spanner
BRT16



Wheel Nut Spanner
BRT17



Plain Screwdriver
BRT18



Phillips Screwdriver
BRT19



Shifting Spanner
BRT20



Chain Tool
BCT23



Crimping Tool
BRT30



Cable Loop
BRCL



Open Tool Basket
BRB21



Lockable Tool Basket
BRB22



Signage
300 x 450
BSG4A

BRHS01

Bicycle Hub

The Bicycle Hub is the latest in community cycling support. Securabike has taken the bicycle repair station and added a number of common cycling requirements to create a go to point for local cyclists to pump tyres, grab a spare tube, fill up a water bottle, look at a map or make some minor adjustments to a bicycle. It is a comprehensive support point for cyclists any time of the day or night as lighting is included.

Being nice and high it is a great visual advertisement for cyclists to use.

Standard features:

- 2 x repair stations
- 2 x air pumps
- 2 x fresh water taps
- 1 x tube vending machine
- 4 x static maps or video screen area.
- 1 x Remote power outlets
- 4 x down lights
- 4 x backlit signs
- Rain shelter with frosted glazed roof



Front view



Rear view

Options:

- Solar panels and lighting. Note you will need a manual air pump and remote power would not be available.
- Larger roof for more rain protection.
- Emergency phone.
- Larger screens or maps
- Motion sensors for lighting.

General 4

Bicycle Facts 4

Design Guide 6

Installation 12

Consulting 13

Security Classes 14

Products 16

Rails 16

Racks 35

Repair Stations 65

End-of-Journey 70

Cages 84

Lockers 88

Shelters 98

Domestic 107

Scooters 113

Other 116

Clothes Lockers 122

Codes Index 130

Material Specifications (General)

Internal galvanised steel frame. Outer plastic casing. Polycarbonate roof.