

# Domestic

## Products



While bicycle racks and rails have traditionally been developed for commercial and industrial applications, Securabike has developed a range of innovative products that provides orderly storage and packing options around the home.

Many of the domestic range of products can be attached to walls allowing bicycles to be safely stored off the floor where space is often limited.

The domestic range also includes stands for securing your bicycle during repair and maintenance.



### Advantages

- Protects bicycles from damage
- Frees up valuable floor space
- Can be locked-on for extra security

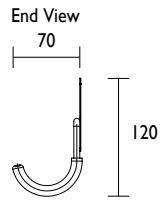
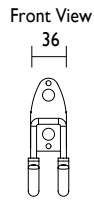
### Applications

- Garages
- Carports
- Rumpus rooms
- Basements
- Hallways

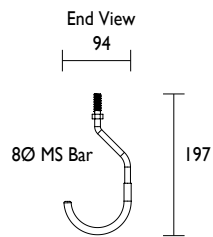
|                    |           |
|--------------------|-----------|
| <b>General</b>     | <b>4</b>  |
| Bicycle Facts      | 4         |
| Design Guide       | 6         |
| Installation       | 12        |
| Consulting         | 13        |
| Security Classes   | 14        |
| <b>Products</b>    | <b>16</b> |
| Rails              | 16        |
| Racks              | 35        |
| Repair Stations    | 65        |
| End-of-Journey     | 70        |
| Cages              | 84        |
| Lockers            | 88        |
| Shelters           | 98        |
| Domestic           | 107       |
| Scooters           | 113       |
| Other              | 116       |
| Clothes Lockers    | 122       |
| <i>Codes Index</i> | 130       |

Product Range > **Domestic Racks** > Wall Mounted

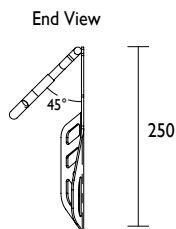
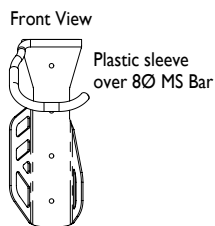
**DBH01**



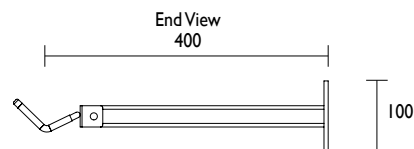
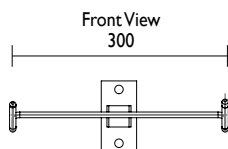
**DBH04**



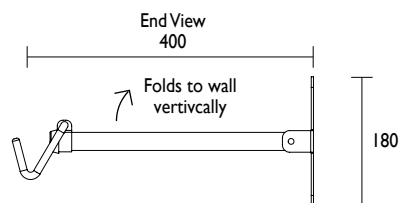
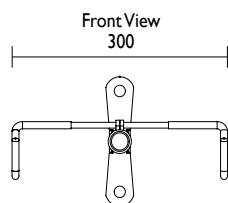
**DBH02**



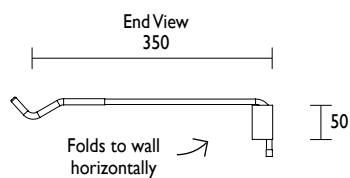
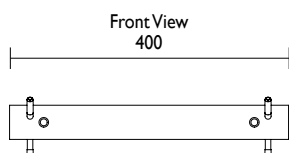
**DBR30H**



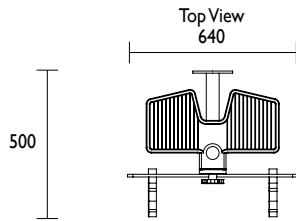
**DBR30F**



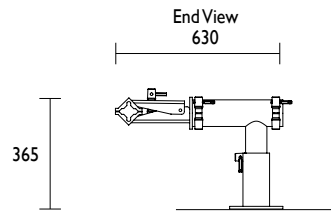
**DBR29S**



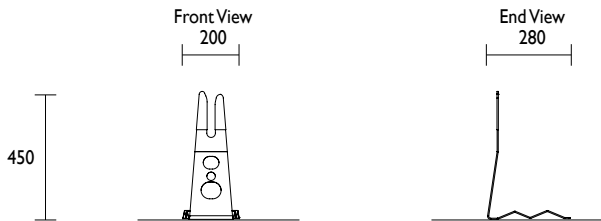
**DBR23**



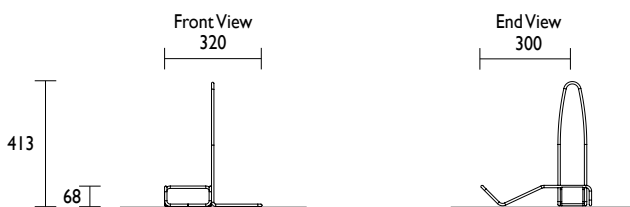
**DBR24**



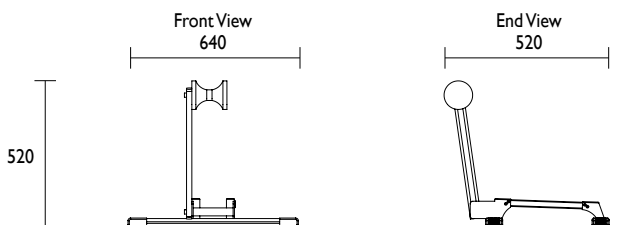
**DBS109**



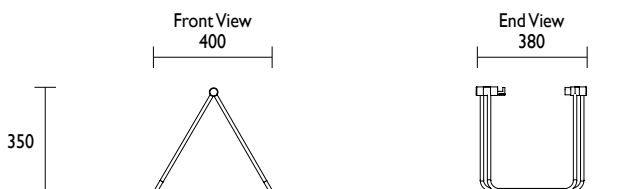
**DBR18**



**DBR21**



**DBR22**



**General 4**

Bicycle Facts 4

Design Guide 6

Installation 12

Consulting 13

Security Classes 14

**Products 16**

Rails 16

Racks 35

Repair Stations 65

End-of-Journey 70

Cages 84

Lockers 88

Shelters 98

Domestic 107

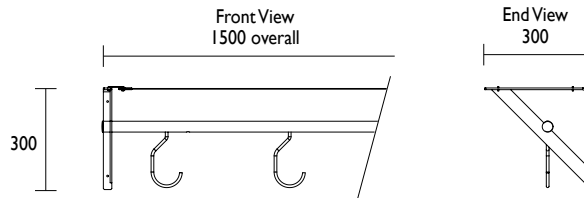
Scooters 113

Other 116

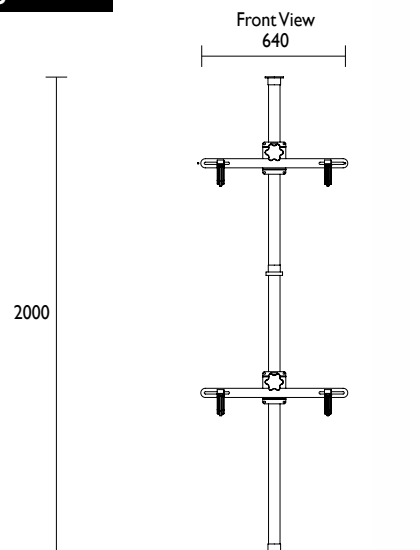
Clothes Lockers 122

Codes Index 130

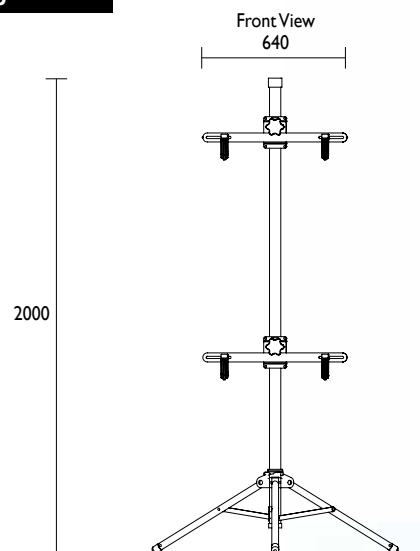
**DBR19**



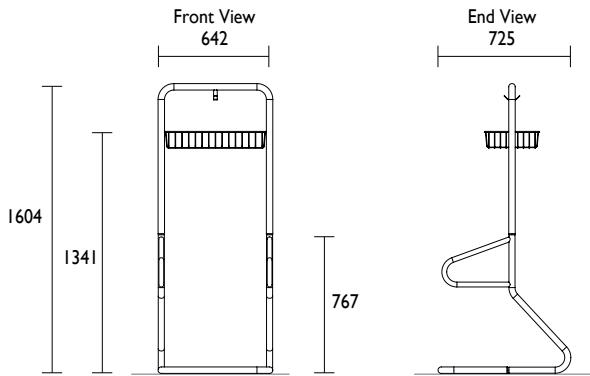
**DBR25**



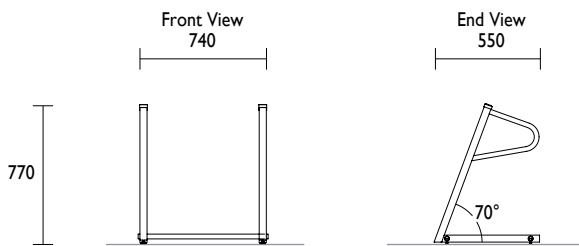
**DBR26**



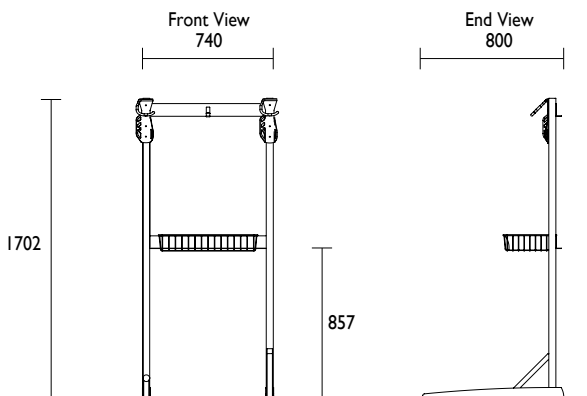
**DBR03**



**DBR11**



**DBR17**

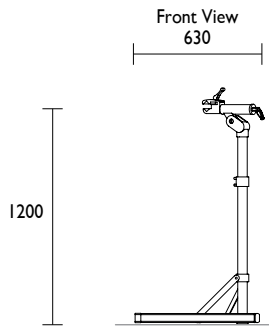


|                  |           |
|------------------|-----------|
| <b>General</b>   | <b>4</b>  |
| Bicycle Facts    | 4         |
| Design Guide     | 6         |
| Installation     | 12        |
| Consulting       | 13        |
| Security Classes | 14        |
| <b>Products</b>  | <b>16</b> |
| Rails            | 16        |
| Racks            | 35        |
| Repair Stations  | 65        |
| End-of-Journey   | 70        |
| Cages            | 84        |
| Lockers          | 88        |
| Shelters         | 98        |
| Domestic         | 107       |
| Scooters         | 113       |
| Other            | 116       |
| Clothes Lockers  | 122       |
| Codes Index      | 130       |

## Product Range > Domestic Racks

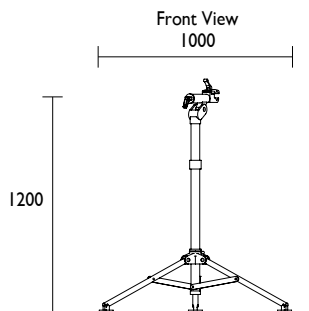
### DBS200BH

Maintain your bicycle at home



### DBS300BH

Maintain your bicycle at home



### DBS66

