

Racks for Scooters



Communities across the country are encouraging children to adopt healthier lifestyles which has seen an increase in children riding their scooters and skateboards to schools and sporting venues.

As with bicycles, there is a need to provide storage and security for these mini modes of transport while they are left unattended, often all day.

Securabike has designed and developed a range of products that are suitable for locations such as schools and shopping centres, as well as amusement and sporting venues.

Advantages

- Safely secures scooters
- Keeps areas free from clutter
- Encourages children to exercise

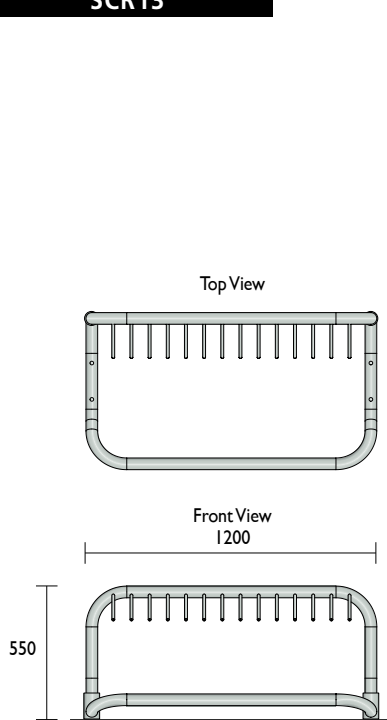
Applications

- Schools
- Swimming pools
- Libraries
- Shopping plazas
- Sport venues



Product Range > Racks for Scooters

SCR13

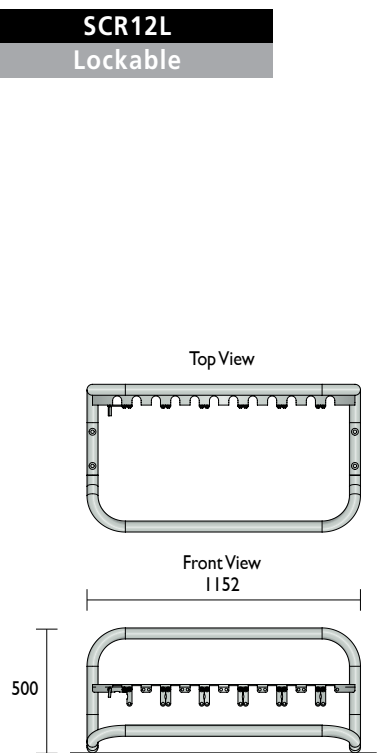


Most Popular Model

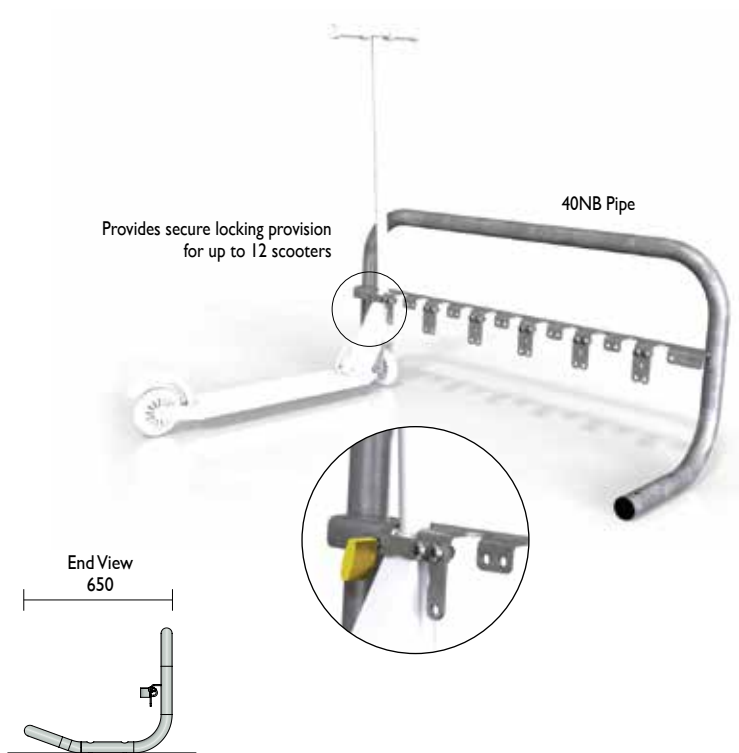
Provides parking for up to 13 scooters and skateboards



SCR12L
Lockable



Provides secure locking provision for up to 12 scooters



Material Specifications (General)

SCR13 40NB (48.3) x 3.2mm Pipe / Ø12 Round Bars / Galvanised / Powder coated in a range of colours
 SCR12L 40NB (48.3) x 3.2mm Pipe / Galvanised / Powder coated in a range of colours



General 4

Bicycle Facts 4

Design Guide 6

Installation 12

Consulting 13

Security Classes 14

Products 16

Rails 16

Racks 35

Repair Stations 65

End-of-Journey 70

Cages 84

Lockers 88

Shelters 98

Domestic 107

Scooters 113

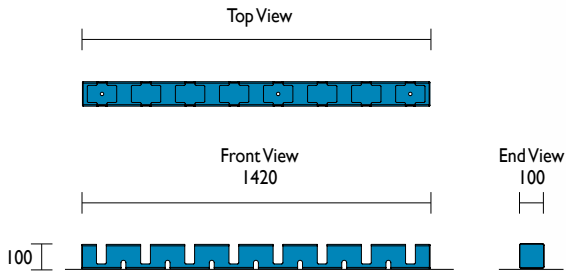
Other 116

Clothes Lockers 122

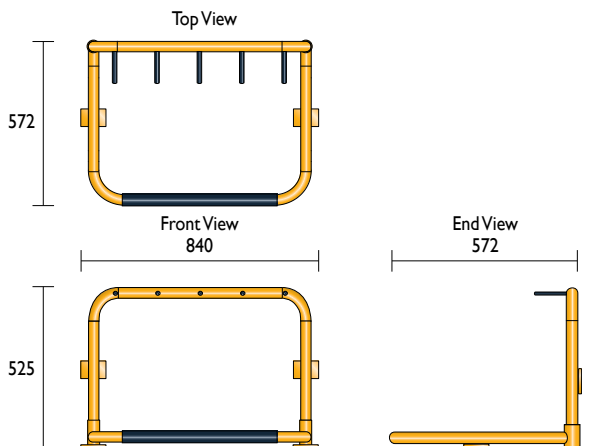
Codes Index 130

SCR8
School Rack

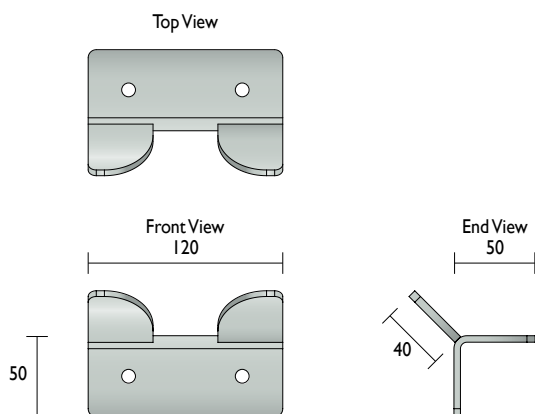
The SCR8 is a low cost scooter rack for schools. 2 front-wheeled scooters typically used by younger children, do not fit in the rack. This scooter rack is ideal for primary school aged children.



BSS40
Domestic Rack



SKB1
Skateboard Blocker



Protects property against damage caused by skateboards

Material Specifications (General)

SCR8 2mm Flat bar steel
 BSS40 40NB (48.3) x 1.5mm Pipe / Galvanised / Powder coated in a range of colours
 SCR4D4 Recycled plastic

