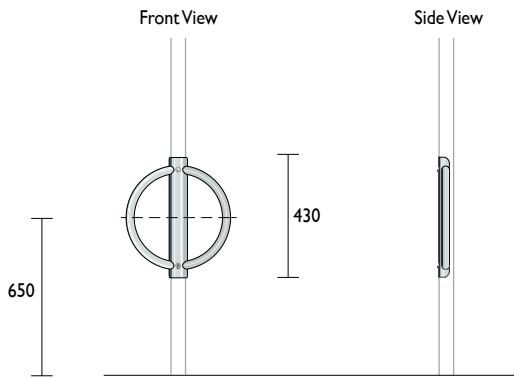


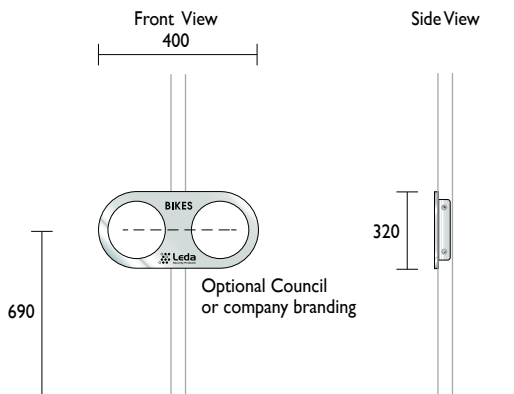
PPR50



25NB Pipe

Units are designed to bolt-fix to existing 40NB or 50NB posts using M12 bolts & shear nuts

PPR52



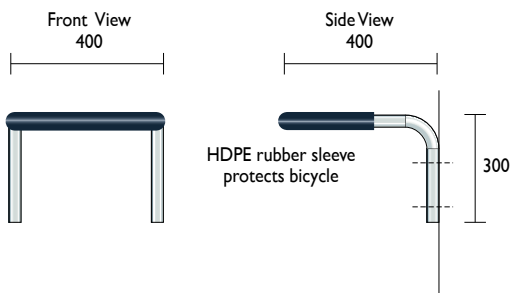
16mm Plate

Units are designed to bolt-fix to existing 40NB or 50NB posts using M12 bolts & shear nuts

WR66F

Wall Mount

Utilising walls, and even ceilings, can often provide additional bicycle storage capacity.



Horizontal Bicycle Storage



Screw fix to wall

General	4
Bicycle Facts	4
Design Guide	6
Installation	12
Consulting	13
Security Classes	14
Products	16
Rails	16
Racks	35
Repair Stations	65
End-of-Journey	70
Cages	84
Lockers	88
Shelters	98
Domestic	107
Scooters	113
Other	116
Clothes Lockers	122
Codes Index	130

Material Specifications (General)
 PPR50 25NB (33.7) x 2.6mm Galvanised Pipe / 25NB (33.4) x 2.77mm Stainless Steel Pipe
 PPR52 16mm (nominal) Aluminium Plate
 WR66F 20NB (26.9) x 2.6mm Medium Duty Pipe / Galvanised / Powder coated in a range of colours

