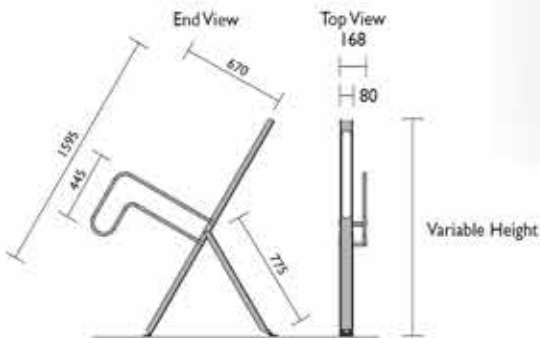


**BRX01**  
**X Rack**

The X Rack is one of Securabike's ultimate bicycle racks as it alone can:

- Act as a ramp so no lifting of bicycle required
- Store bicycles vertically for space efficiency
- Is supplied flat packed, so small freight component
- Quick and easy to bolt down and install
- Security rail to secure frame and wheels
- Allows crossover X design to maximise space
- Adjustable height so you can stagger racks



**Vertical or Horizontal bicycle storage**



**General** 4

Bicycle Facts 4

Design Guide 6

Installation 12

Consulting 13

Security Classes 14

**Products** 16

Rails 16

Racks 35

Repair Stations 65

End-of-Journey 70

Cages 84

Lockers 88

Shelters 98

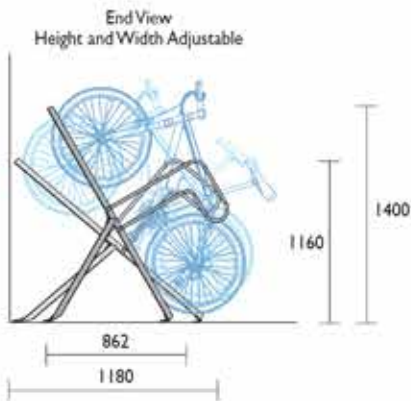
Domestic 107

Scooters 113

Other 116

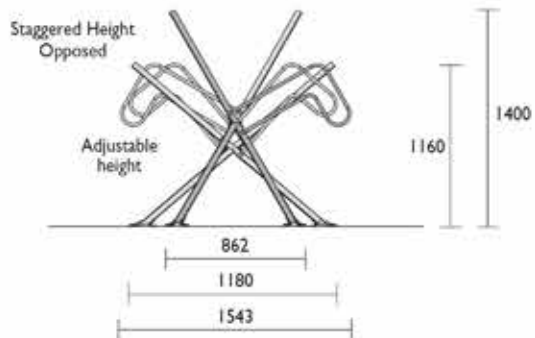
Clothes Lockers 122

Codes Index 130

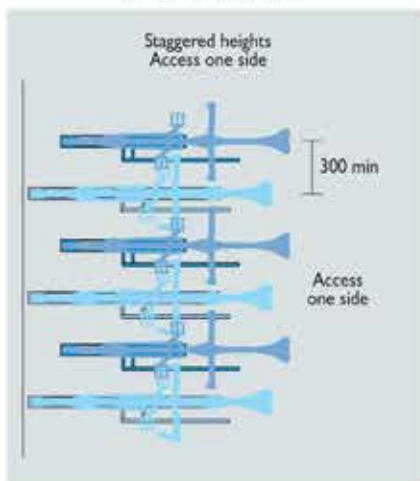


**Typical Configuration**

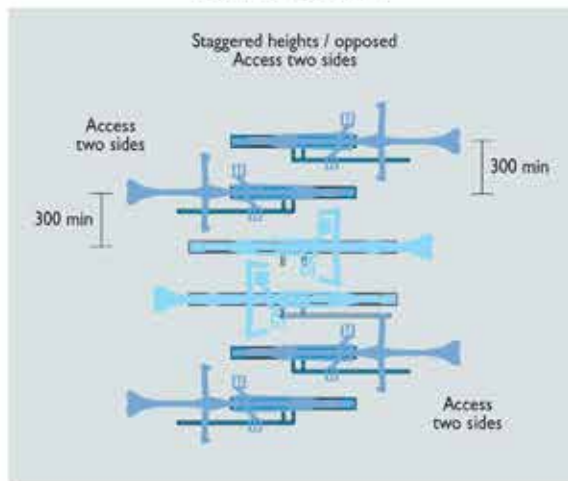
End View  
Nominal Dimensions



**Typical Configuration**



**Typical Configuration**



**Material Specifications (General)**

2mm Mild Steel Plate / Galvanised / Powder coated in a range of colours  
20NB (26.9) x 2.3mm Pipe / Galvanised / Powder coated in a range of colours

