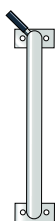


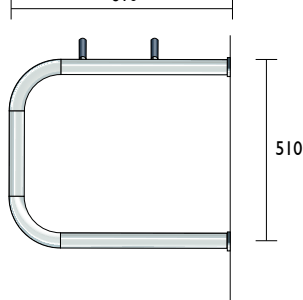
BR66F
Wall Mount

BR66F
Galvanised / Powder Coated
SBR66F
Stainless Steel

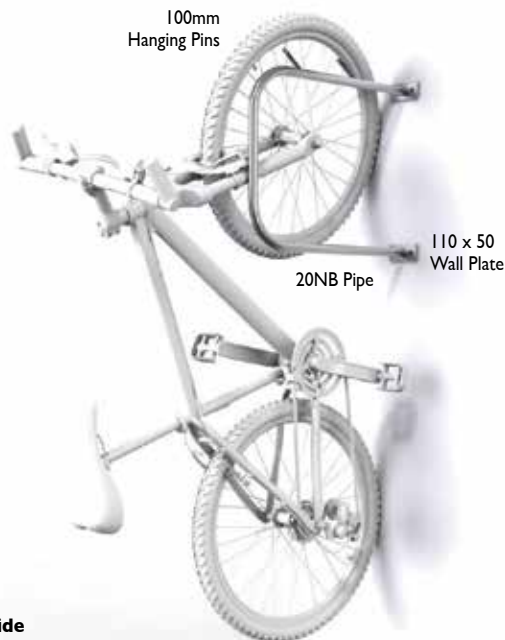
Front View



Side View
610



Vertical Bicycle Storage



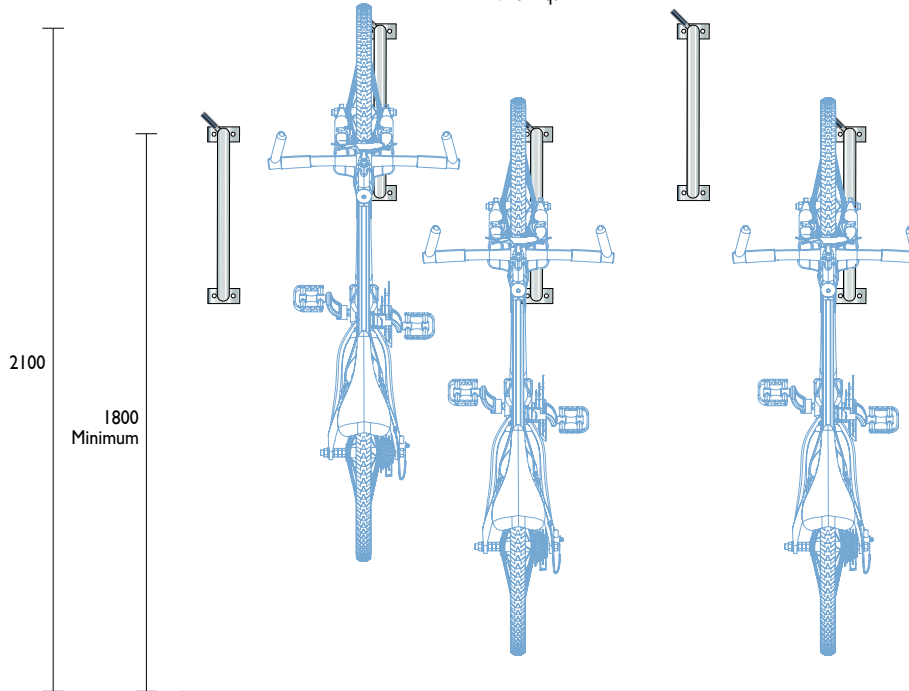
Multiple Installation Guide

Utilising the available wall space in the bicycle parking location, helps maximise the number of bicycles that can be securely stored.

Staggering the height of the BR66F Hanging Rail also allows greater storage capacity.

Front View
450 shown

300-450 spacings are typical, depending on the storage density levels required



Material Specifications (General)

Mild steel 20NB (26.9) x 2.6mm Medium Duty Pipe / Ø12 Hanging Pins / Galvanised / Powder coated in a range of colours
Stainless Steel 20NB (26.9) x 2.6mm Grade 304 Stainless Steel Pipe / Ø12 Hanging Pins / Linished

