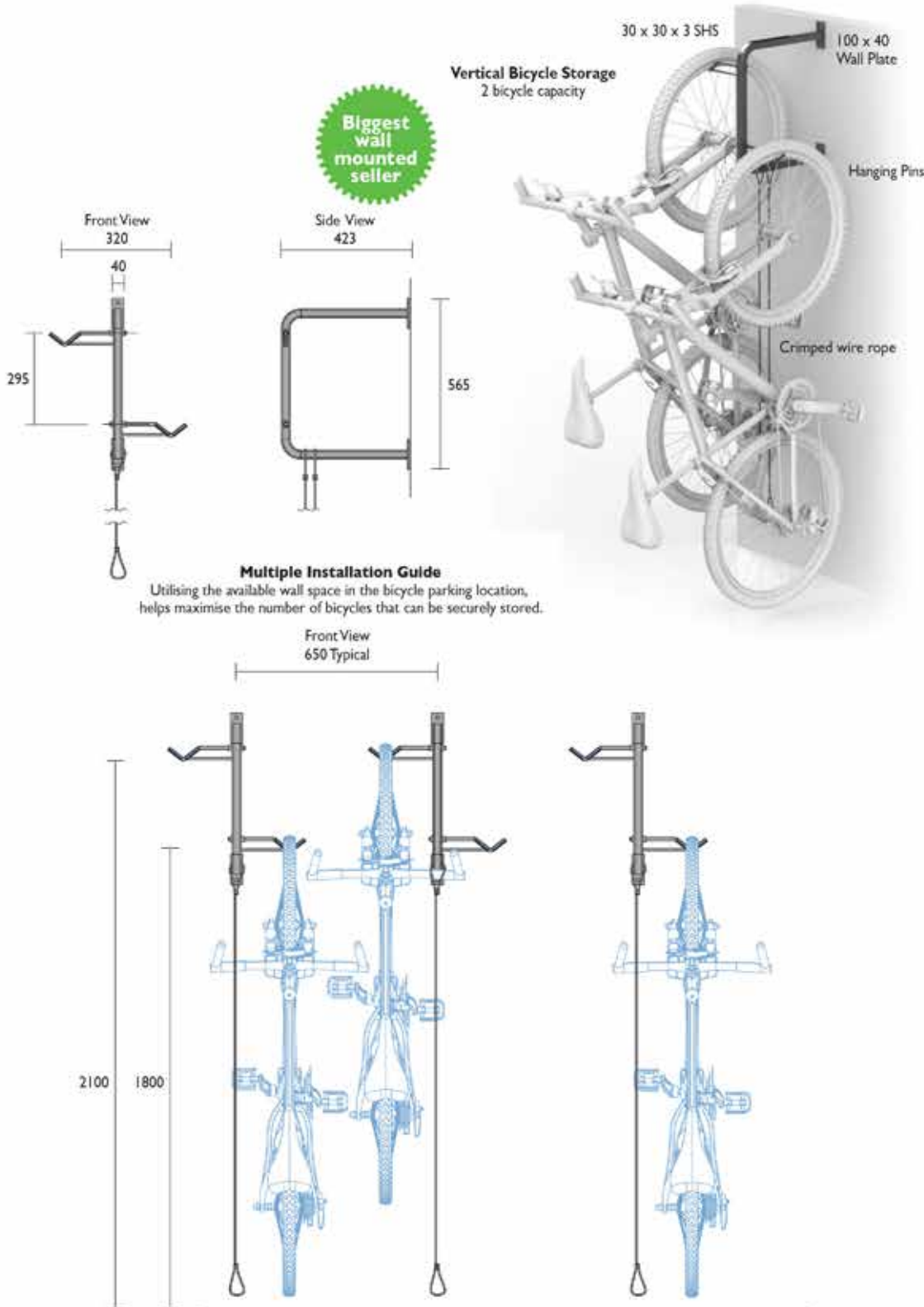


**BR542F**  
Wall Mount



<b>General</b>	<b>4</b>
Bicycle Facts	4
Design Guide	6
Installation	12
Consulting	13
Security Classes	14
<b>Products</b>	<b>16</b>
Rails	16
Racks	35
Repair Stations	65
End-of-Journey	70
Cages	84
Lockers	88
Shelters	98
Domestic	107
Scooters	113
Other	116
Clothes Lockers	122
Codes Index	130

**Material Specifications (General)**  
30 x 30 x 3mm SHS / Hot dipped galvanised / Powder coated in a range of colours  
100 x 40 x 8mm MS plate / Hot dipped galvanised / Powder coated in a range of colours

