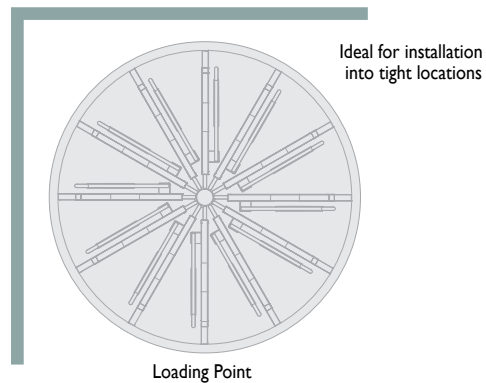
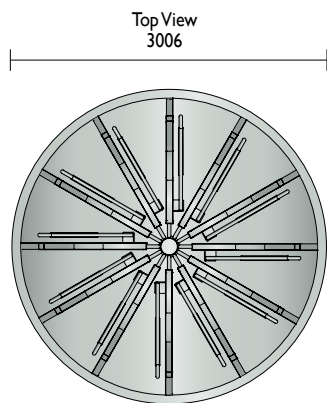


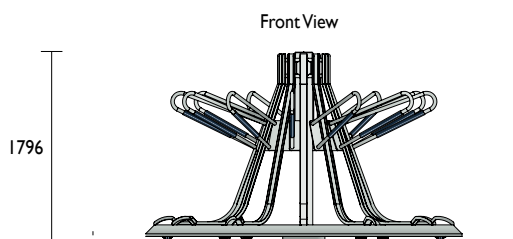
Carousel CBR12



This innovative space-efficient design provides a rack catering for up to 12 bicycles. Ideal for 'difficult to get to' locations, it is easy to load bicycles by wheeling up the front wheel until the back wheel locates in the guide. Leaning rails provide support and a means to secure the bicycle



The carousel rack can also be incorporated into a modular cage fitted with a lockable pedestrian gate with optional electronic locking.



Material Specifications (General)

Turnstile Steel frame / chequerplate floor
 Bicycle Rack 20NB (26.9) x 2.3mm Pipe / 3mm steel plate / Hot dipped galvanised or powder coated in a range of colours

