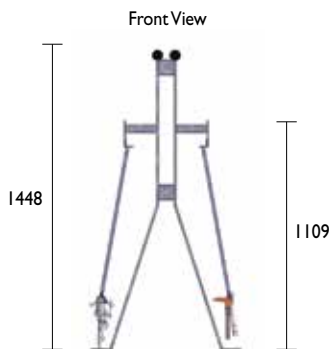
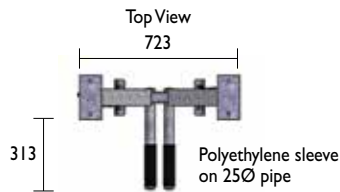


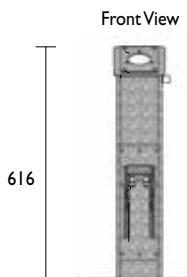
**BBS03**



Supplied in knock-down kit form and can be quickly and easily assembled and bolted to concrete foundation.



**BPS01**  
Pumping Station



Pressure gauge



A rugged bicycle pumping station that can be installed in either indoor or outdoor locations.

Both Presta and Schrader valves included.

<b>General</b>	<b>4</b>
Bicycle Facts	4
Design Guide	6
Installation	12
Consulting	13
Security Classes	14
<b>Products</b>	<b>16</b>
Rails	16
Racks	35
Repair Stations	65
End-of-Journey	70
Cages	84
Lockers	88
Shelters	98
Domestic	107
Scooters	113
Other	116
Clothes Lockers	122
<i>Codes Index</i>	130

**Material Specifications (General)**

BBS03	75 x 10mm Mild Steel Flat / Hot Dipped Galvanised
BPS01	125 x 125 x 4mm SHS / Hot Dipped Galvanised